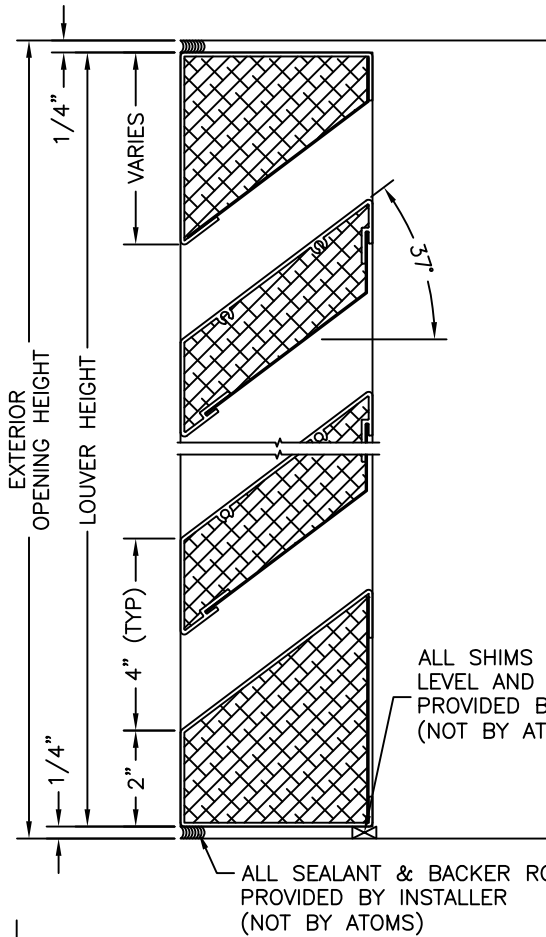


The illustrated design was created to a design load of 30 lbs. per square foot. Changes may be required to accommodate other design loads.

This drawing and the design represented are the confidential and proprietary property of ATOMS AP, LLC and may not be disclosed, loaned, copied or used for any purpose other than design review and approval without the express written consent of ATOMS AP, LLC. ATOMS AP, LLC reserves the right to alter the illustrated design solely at its' discretion.



PERFORMANCE DATA The data below supersedes all previously published data.

VARIABLE	VALUE	DESCRIPTION
Measured Free Area	5.38 ft ²	48"x48"
	0.50 m ²	122cmx122cm
Free Area %	33.63 %	Measured Free Area/16ft ²

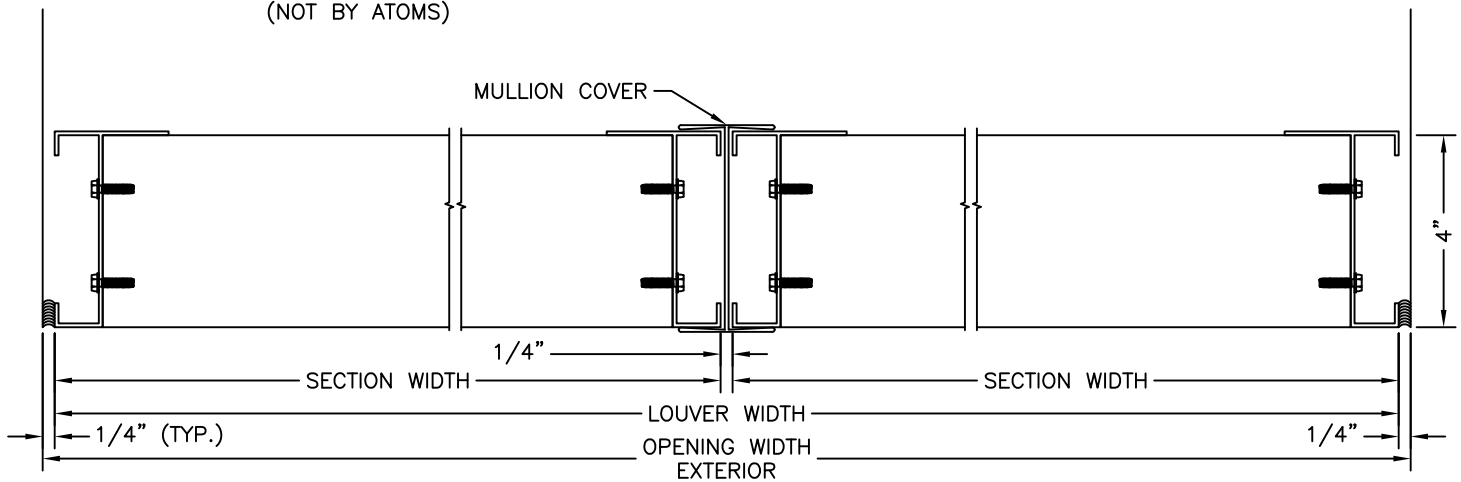
ATOMS AP certifies that the performance ratings shown were developed in accordance with the requirements of AMCA test method 500-L-99, paragraph 8.3.1.

ACOUSTICAL PERFORMANCE DATA

FREQUENCY Hz	FREE FIELD NOISE REDUCTION IN DECIBELS (Dba)
63	
125	
250	
500	
1000	
2000	
4000	
8000	

Sound Transmisison Coefficient
STC

MADE IN THE U.S.A.



FILE: C:\DRAFTING\CUTSHEETS\437-APAJ

MATERIAL: FRAME 0.081" (2.057mm) 6063-T5 EXTRUDED ALUMINUM
 BLADE 0.081" (2.057mm) 6063-T5 EXTRUDED ALUMINUM
 BLADE INFILL: FIBERGLASS INSULATION/MINERAL WOOL
 BLADE UNDERSIDE: 20 GA. PERFORATED ALUMINUM SHEET

REV. DATE: 7/26/11

REV. BY: DR

PROJECT:

LOCATION:

ARCHITECT:

CUSTOMER:

CUSTOMER P.O. NO.:

A.A.P. ORDER NO.:

SCALE: 3"=1'

DATE: 5/1/09

DWN. BY: DR

APP'VD BY:

APAJ-437



510 EAST STREET
PARKERSBURG, WV 26101

www.atomsapllc.com

Phone: 304-865-0842

Fax: 304-865-0846