

The illustrated design was created to a design load of 30 lbs. per square foot. Changes may be required to accommodate other design loads.

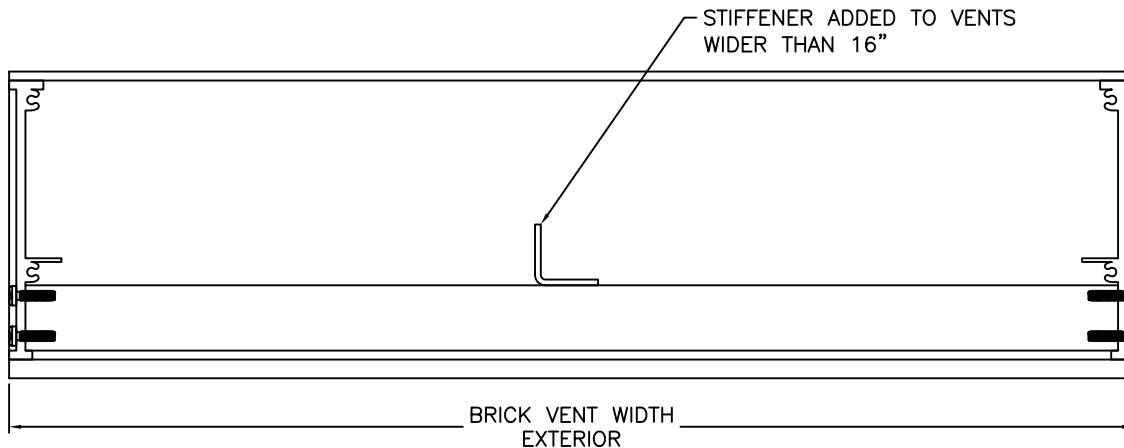
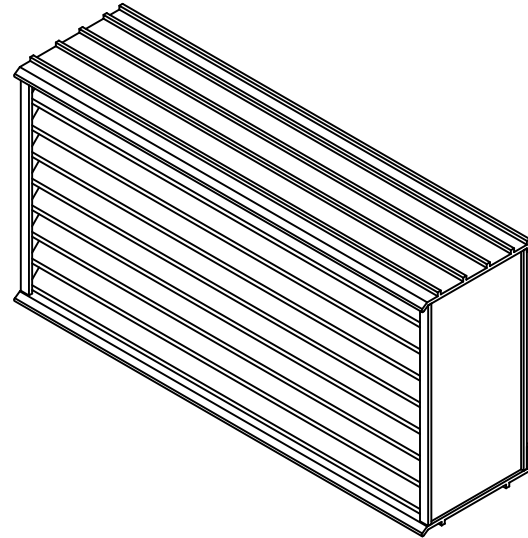
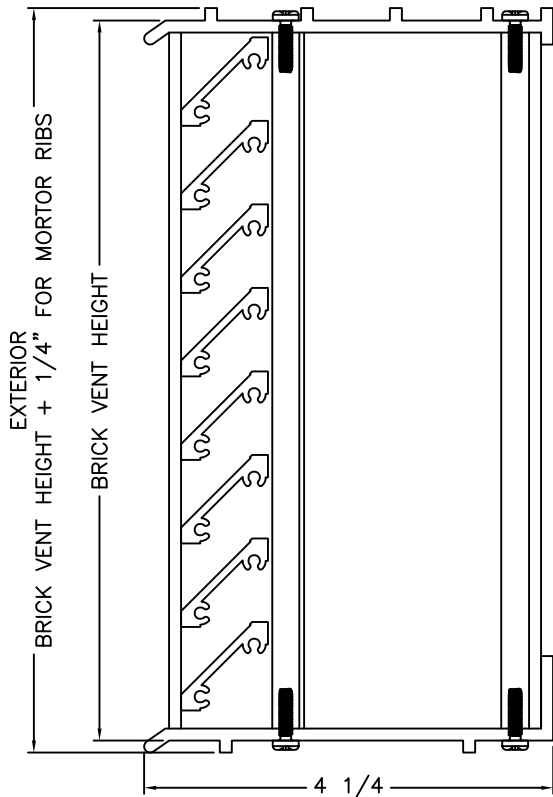
This drawing and the design represented are the confidential and proprietary property of ATOMS AP, LLC and may not be disclosed, loaned, copied or used for any purpose other than design review and approval without the express written consent of ATOMS AP, LLC. ATOMS AP, LLC reserves the right to alter the illustrated design solely at its' discretion.

### PERFORMANCE DATA

The data below supersedes all previously published data.

VARIABLE	VALUE	DESCRIPTION
Measured Free Area	6.16 ft <sup>2</sup>	48"x48"
	0.57 m <sup>2</sup>	122cmx122cm
Free Area %	38.51 %	Measured Free Area/16ft <sup>2</sup>

**MADE IN THE U.S.A.**



FILE: C:\DRAFTING\CUTSHEETS\BRICK VENTS

MATERIAL: FRAME 0.125" (3.175mm) 6063-T5 EXTRUDED ALUMINUM  
BLADE 0.081" (2.057mm) 6063-T5 EXTRUDED ALUMINUM

REV. DATE: 7/26/11

REV. BY: DR

PROJECT:

SECTION SIZE LIMITS	<u>MAXIMUM</u>	<u>MINIMUM</u>	ONE DIMENSION MUST BE 60" OR LESS.
	WIDTH: 48"	WIDTH: 8"	
	HEIGHT: 15 3/4"	HEIGHT: 2 3/8"	

LOCATION:

ARCHITECT:

CUSTOMER:

CUSTOMER P.O. NO.:

A.A.P. ORDER NO.:

SCALE: NTS

DATE: 5/1/09

DWN. BY: DR

APP'VD BY:



510 EAST STREET  
PARKERSBURG, WV 26101

www.atomsapllc.com

Phone: 304-865-0842  
Fax: 304-865-0846

**APBV-445**