

The illustrated design was created to a design load of 30 lbs. per square foot. Changes may be required to accommodate other design loads.

This drawing and the design represented are the confidential and proprietary property of ATOMS AP, LLC and may not be disclosed, loaned, copied or used for any purpose other than design review and approval without the express written consent of ATOMS AP, LLC. ATOMS AP, LLC reserves the right to alter the illustrated design solely at its' discretion.

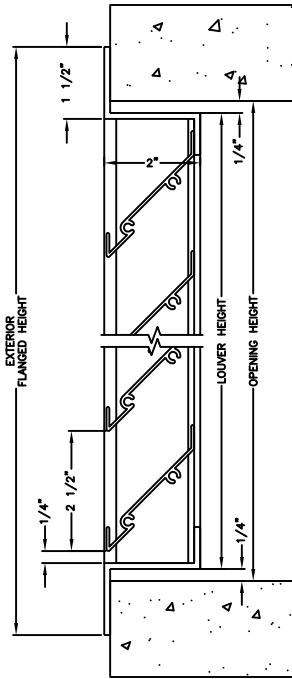
**PERFORMANCE DATA** The data below supersedes all previously published data.

VARIABLE	VALUE	DESCRIPTION
Measured Free Area	7.36 ft <sup>2</sup>	48"x48"
	0.68 m <sup>2</sup>	122cmx122cm
Free Area %	46.00 %	Measured Free Area/16ft <sup>2</sup>

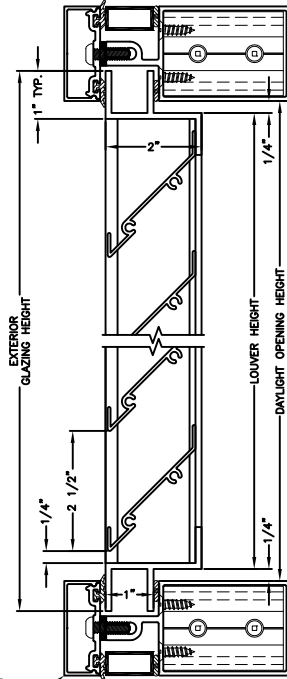
Air Velocity	955.00 fpm @ Beginning Point Of H <sub>2</sub> O Penetration 291.08 mpm
Volumetric Air Flow	7,028.80 cfm @ 0.01 oz./ft. <sup>2</sup> Free Area 3.32 cms
Pressure Drop	0.14 In. of H <sub>2</sub> O @ 0.01 oz./ft. <sup>2</sup> Free Area 34.84 pascals

ATOMS AP certifies that the performance ratings shown were developed in accordance with the requirements of AMCA test method 500-L-99, paragraph 8.3.1.

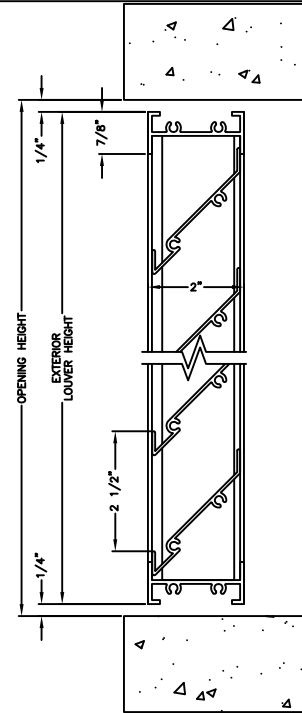
**MADE  
IN  
THE  
U.S.A.**



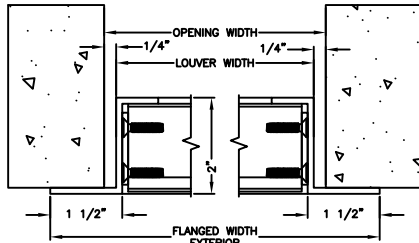
**VERTICAL SECTION  
FLANGE FRAME  
OPTION**



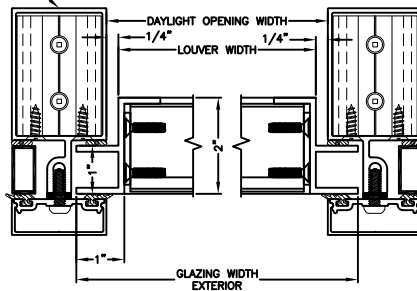
**VERTICAL SECTION  
GLAZING FRAME  
OPTION**



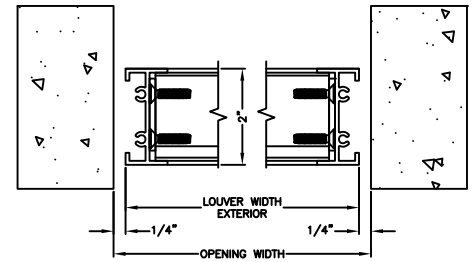
**VERTICAL SECTION  
CHANNEL FRAME  
OPTION**



**PLAN VIEW  
FLANGE FRAME  
OPTION**



**VERTICAL SECTION  
GLAZING FRAME  
OPTION**



**VERTICAL SECTION  
CHANNEL FRAME  
OPTION**

FILE: C:\DRAFTING\CUTSHEETS\245-APED

MATERIAL: BLADE 0.060" (1.524mm) 6063-T5 EXTRUDED ALUMINUM  
CHANNEL FRAME 0.081" (2.057mm) 6063-T5 EXTRUDED ALUMINUM  
GLAZING FRAME 0.125" (3.175mm) 6063-T5 EXTRUDED ALUMINUM  
FLANGED FRAME 0.125" (3.175mm) 6063-T5 EXTRUDED ALUMINUM

REV. DATE: 7/26/11

REV. BY: DR

PROJECT:

LOCATION:

ARCHITECT:

CUSTOMER:

CUSTOMER P.O. NO.:

A.A.P. ORDER NO.:

SCALE: 3"=1'

DATE: 5/1/09

DWN. BY: DR

APP'VD BY:

**APED-245**

SECTION SIZE LIMITS	MAXIMUM	MINIMUM	ONE DIMENSION MUST BE 60" OR LESS.
WIDTH:	180"	12"	
HEIGHT:	180"	12"	



510 EAST STREET  
PARKERSBURG, WV 26101

www.atomsapllc.com

Phone: 304-865-0842  
Fax: 304-865-0846