

The illustrated design was created to a design load of 30 lbs. per square foot. Changes may be required to accommodate other design loads.

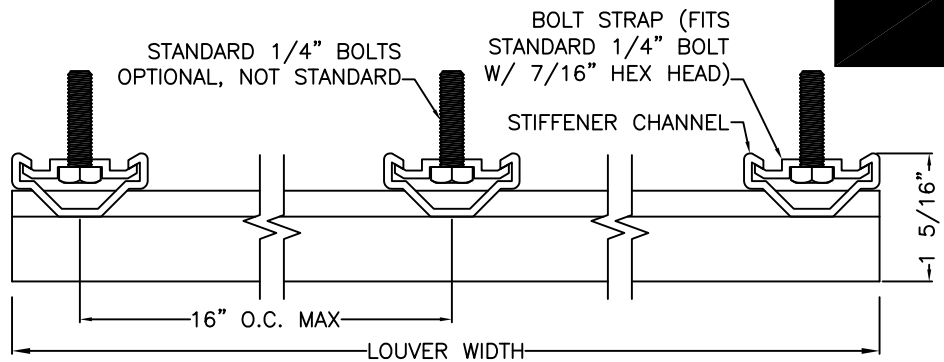
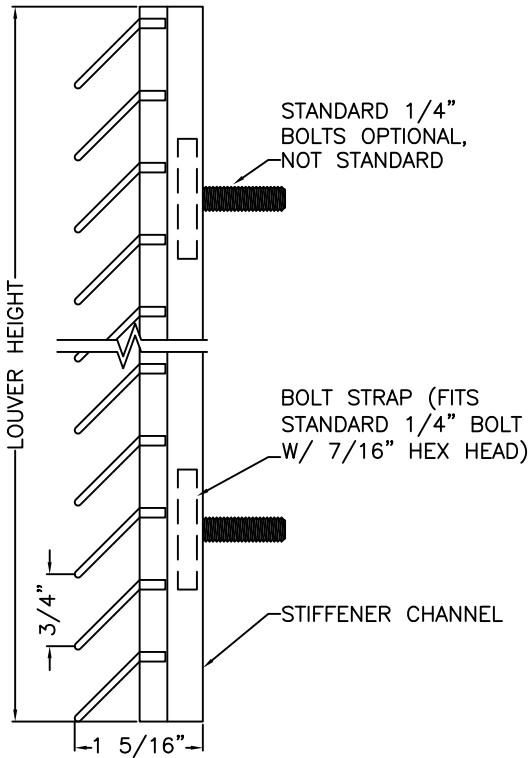
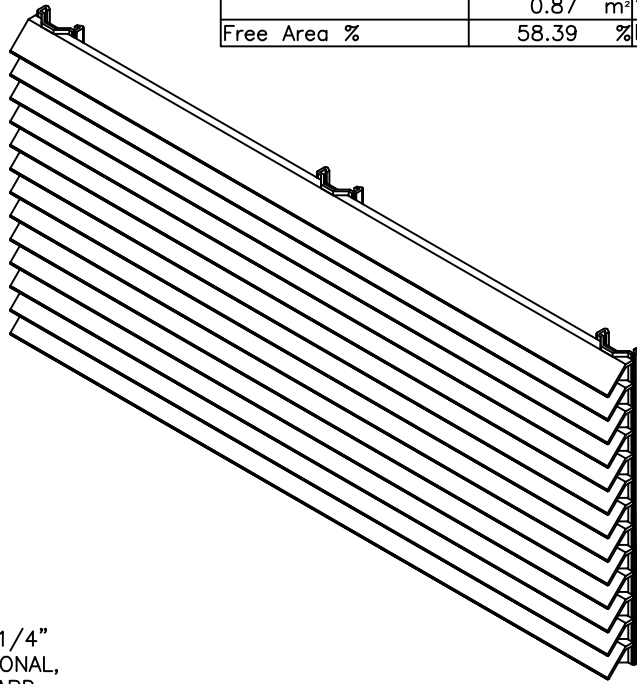
This drawing and the design represented are the confidential and proprietary property of ATOMS AP, LLC and may not be disclosed, loaned, copied or used for any purpose other than design review and approval without the express written consent of ATOMS AP, LLC. ATOMS AP, LLC reserves the right to alter the illustrated design solely at its' discretion.

MADE IN THE U.S.A.

PERFORMANCE DATA

The data below supersedes all previously published data.

VARIABLE	VALUE	DESCRIPTION
Measured Free Area	9.34 ft ²	48"x48"
	0.87 m ²	122cmx122cm
Free Area %	58.39 %	Measured Free Area/16ft ²



FILE: C:\DRAFTING\CUTSHEETS\150-APEJ

MATERIAL: BLADE 0.100" (2.540mm) 6063-T5 EXTRUDED ALUMINUM
 FRAME 0.060" (1.524mm) 6063-T5 EXTRUDED ALUMINUM
 STIFFENER 0.100" (2.540mm) 6063-T5 EXTRUDED ALUMINUM

REV. DATE: _____ REV. BY: _____

PROJECT: _____

SECTION	MAXIMUM	MINIMUM	ONE DIMENSION
SIZE LIMITS	WIDTH: 6"	WIDTH: 120"	MUST BE 60"
	HEIGHT: 6"	HEIGHT: 60"	OR LESS.

LOCATION: _____

ARCHITECT: _____

CUSTOMER: _____

CUSTOMER P.O. NO.: _____

A.A.P. ORDER NO.: _____

SCALE: NTS DATE: 10/8/13

DWN. BY: AGH APP'VD BY: _____

APEJ-150 W/ ATTACH.



510 EAST STREET
 PARKERSBURG, WV 26101

www.atomsapllc.com

Phone: 304-865-0842
 Fax: 304-865-0846