

The illustrated design was created to a design load of 30 lbs. per square foot. Changes may be required to accommodate other design loads.

This drawing and the design represented are the confidential and proprietary property of ATOMS AP, LLC and may not be disclosed, loaned, copied or used for any purpose other than design review and approval without the express written consent of ATOMS AP, LLC. ATOMS AP, LLC reserves the right to alter the illustrated design solely at its' discretion.

PERFORMANCE DATA

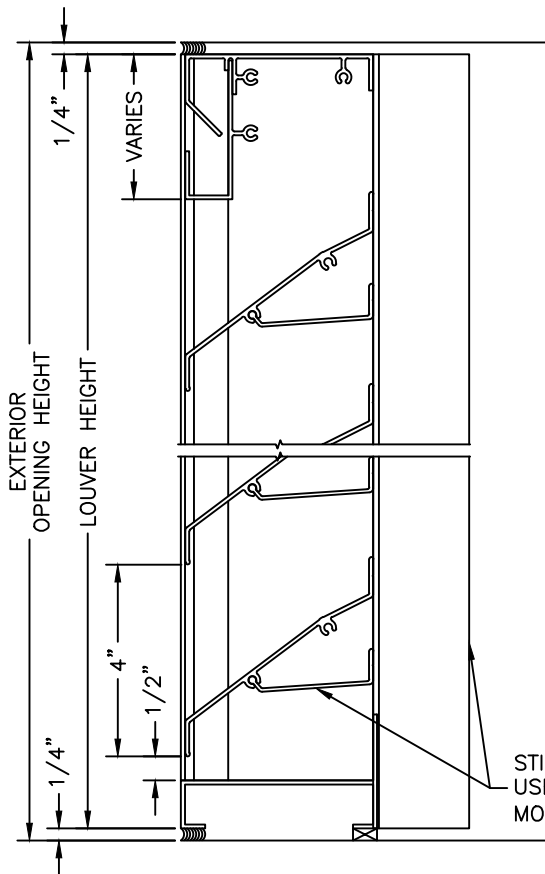
The data below supersedes all previously published data.

VARIABLE	VALUE	DESCRIPTION
Measured Free Area	8.86 ft ² 48"x48" 0.82 m ² 122cmx122cm	
Free Area %	55.38 %	Measured Free Area/16ft ²
Air Velocity	841.00 fpm @ Beginning Point Of H ₂ O Penetration 265.34 mpm	
Volumetric Air Flow	7,451.26 cfm @ 0.01 oz./ft. ² Free Area 3.52 cms	
Pressure Drop	0.11 in. of H ₂ O @ 0.01 oz./ft. ² Free Area 27.37 pascals	
Air Velocity	950.00 fpm @ Pressure Drop Of: 0.15" H ₂ O 289.56 mpm 37 pascals	
Volumetric Air Flow	8,417.00 cfm @ Pressure Drop Of: 0.15" H ₂ O 3.97 cms	

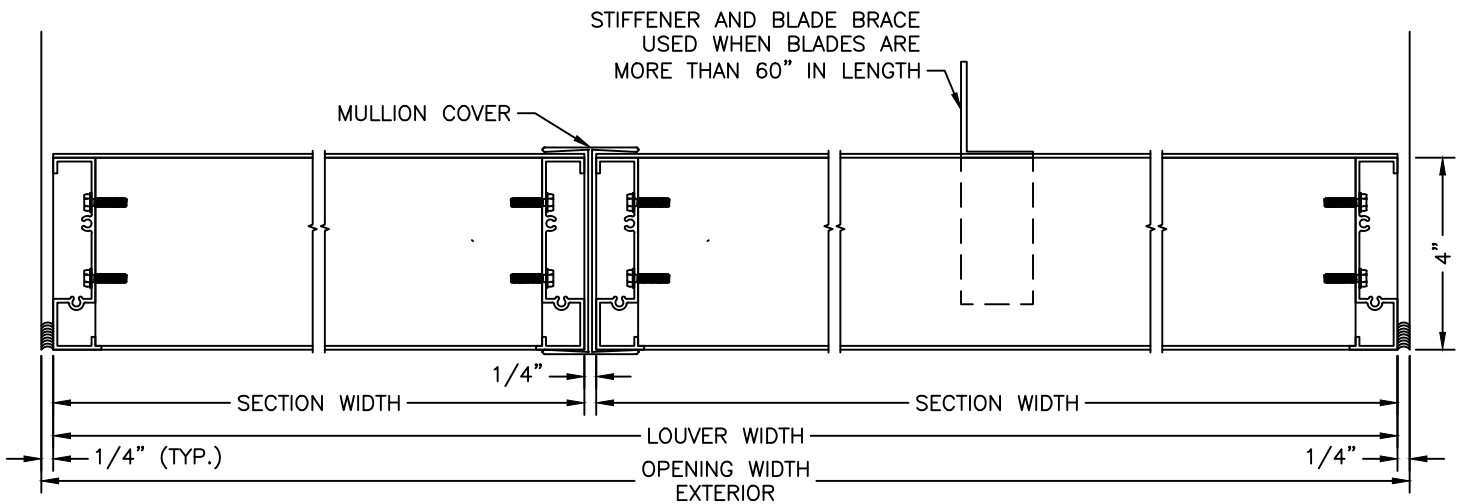
ATOMS AP LLC certifies that louver model APEJ-437 shown herein is licensed to bear the AMCA seal. The ratings shown are based on tests and procedures performed in accordance with AMCA publication 511 and comply with the requirements of the AMCA certified ratings program.

The AMCA Certified Ratings Seal Applies to Water Penetration and Air Performance.

MADE IN THE U.S.A.



STIFFENER AND BLADE BRACE
USED WHEN BLADES ARE
MORE THAN 60" IN LENGTH



FILE: C:\DRAFTING\CUTSHEETS\437-APEJ

MATERIAL: FRAME 0.081" (2.057mm) 6063-T5 EXTRUDED ALUMINUM
BLADE 0.081" (2.057mm) 6063-T5 EXTRUDED ALUMINUM

REV. DATE: 7/26/11

REV. BY: DR

PROJECT:

LOCATION:

ARCHITECT:

CUSTOMER:

CUSTOMER P.O. NO.:

A.A.P. ORDER NO.:

SCALE: 3"=1'

DATE: JUNE 21, 2010

DWN. BY: DR

APP'VD BY:

APEJ-437

SECTION SIZE LIMITS	MAXIMUM	MINIMUM	ONE DIMENSION MUST BE 60" OR LESS.
	WIDTH: 180"	WIDTH: 12"	
	HEIGHT: 180"		



510 EAST STREET
PARKERSBURG, WV 26101

www.atomsapllc.com

Phone: 304-865-0842
Fax: 304-865-0846

The illustrated design was created to a design load of 30 lbs. per square foot. Changes may be required to accommodate other design loads.

This drawing and the design represented are the confidential and proprietary property of ATOMS AP, LLC and may not be disclosed, loaned, copied or used for any purpose other than design review and approval without the express written consent of ATOMS AP, LLC. ATOMS AP, LLC reserves the right to alter the illustrated design solely at its' discretion.

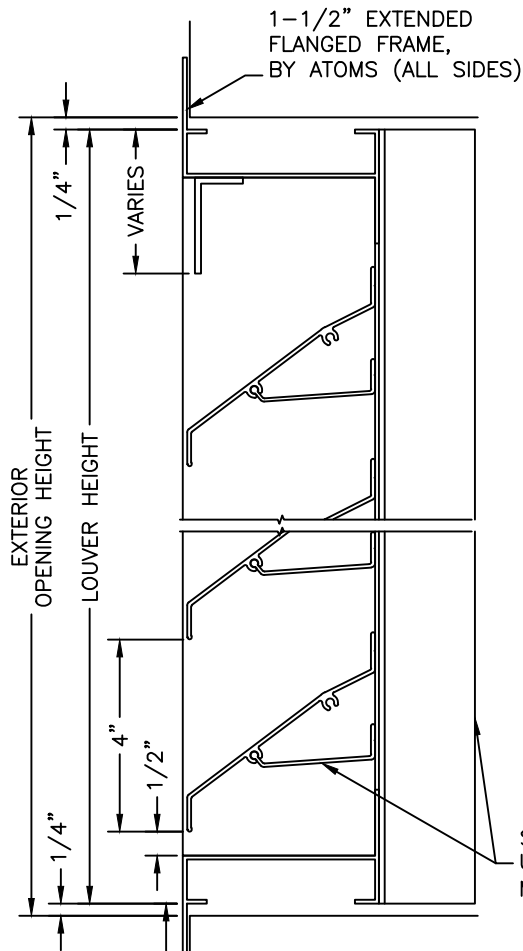
PERFORMANCE DATA

The data below supersedes all previously published data.

VARIABLE	VALUE	DESCRIPTION
Measured Free Area	8.86 ft ² 48"x48" 0.82 m ² 122cmx122cm	
Free Area %	55.38 %	Measured Free Area/16ft ²
Air Velocity	841.00 fpm @ Beginning Point Of H ₂ O Penetration 265.34 mpm	
Volumetric Air Flow	7,451.26 cfm @ 0.01 oz./ft. ² Free Area 3.52 cms	
Pressure Drop	0.11 in. of H ₂ O @ 0.01 oz./ft. ² Free Area 27.37 pascals	
Air Velocity	950.00 fpm @ Pressure Drop Of: 0.15" H ₂ O 289.56 mpm	37 pascals
Volumetric Air Flow	8,417.00 cfm @ Pressure Drop Of: 0.15" H ₂ O 3.97 cms	

ATOMS AP certifies that the performance ratings shown were developed in accordance with the requirements of AMCA test method 500-L-99, paragraph 8.3.1.

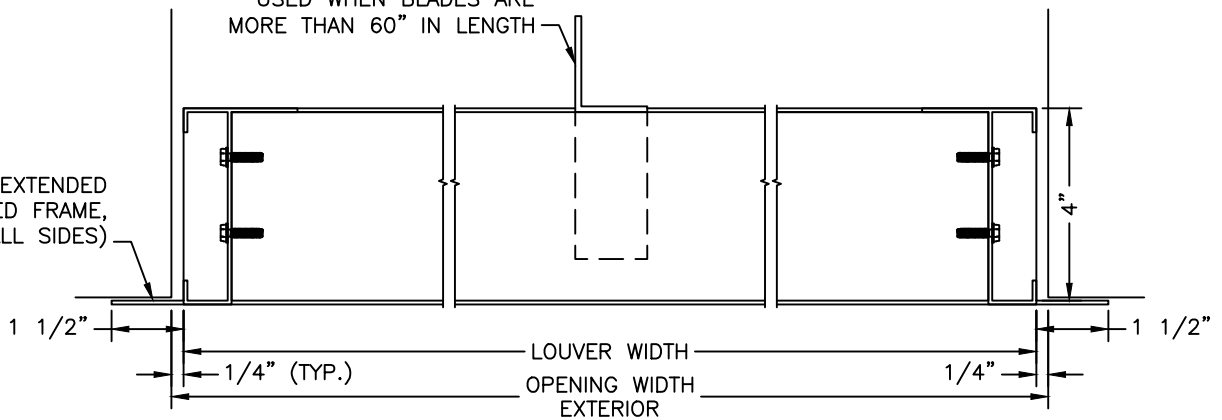
MADE IN THE U.S.A.



STIFFENER AND BLADE BRACE USED WHEN BLADES ARE MORE THAN 60" IN LENGTH

STIFFENER AND BLADE BRACE USED WHEN BLADES ARE MORE THAN 60" IN LENGTH

1-1/2" EXTENDED FLANGED FRAME, BY ATOMS (ALL SIDES)



FILE: C:\DRAFTING\CUTSHEETS\437-APEJ

MATERIAL: FRAME 0.081" (2.057mm) 6063-T5 EXTRUDED ALUMINUM
BLADE 0.081" (2.057mm) 6063-T5 EXTRUDED ALUMINUM

REV. DATE: _____ REV. BY: _____

PROJECT: _____

SECTION SIZE LIMITS	MAXIMUM	MINIMUM	ONE DIMENSION MUST BE 60" OR LESS.
	WIDTH: 180"	WIDTH: 12"	
	HEIGHT: 180"	HEIGHT: 12"	

LOCATION: _____

ARCHITECT: _____

CUSTOMER: _____

CUSTOMER P.O. NO.: _____

A.A.P. ORDER NO.: _____

SCALE: 3"=1' DATE: 9/11/13

DWN. BY: AGH

APP'VD BY: _____ **APEJ-437 FLANGED**



510 EAST STREET
PARKERSBURG, WV 26101

www.atomsapllc.com

Phone: 304-865-0842
Fax: 304-865-0846

The illustrated design was created to a design load of 30 lbs. per square foot. Changes may be required to accommodate other design loads.

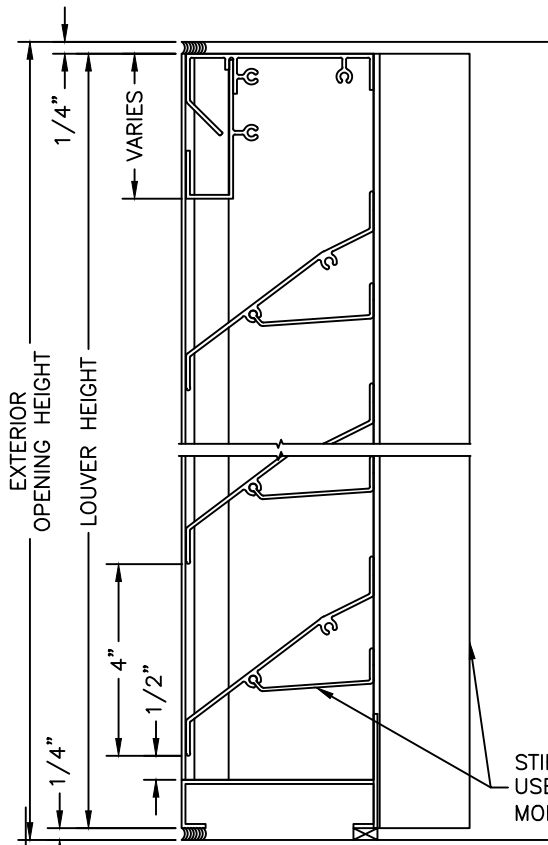
This drawing and the design represented are the confidential and proprietary property of ATOMS AP, LLC and may not be disclosed, loaned, copied or used for any purpose other than design review and approval without the express written consent of ATOMS AP, LLC. ATOMS AP, LLC reserves the right to alter the illustrated design solely at its' discretion.

PERFORMANCE DATA

The data below supersedes all previously published data.

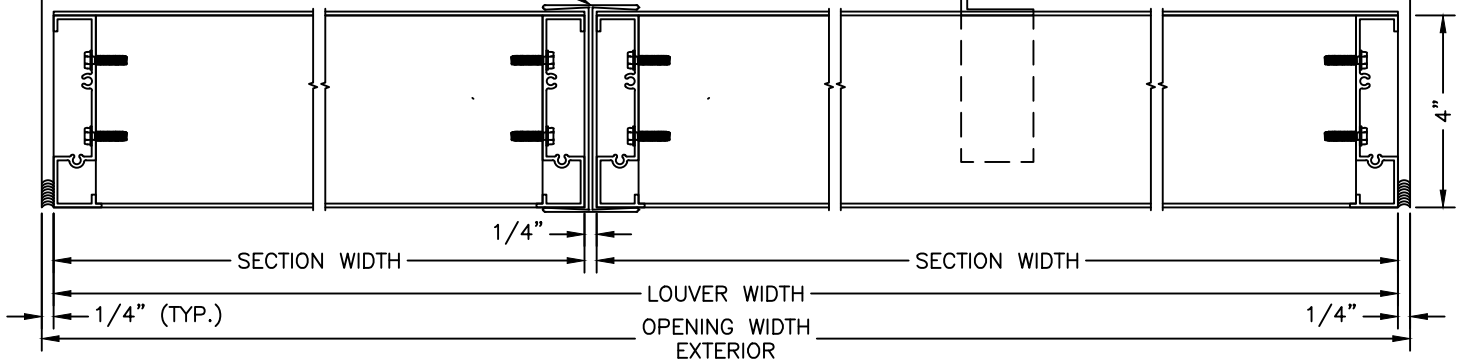
VARIABLE	VALUE	DESCRIPTION
Measured Free Area	8.82 ft ² 48"x48" 0.82 m ² 122cmx122cm	
Free Area %	55.13 %	Measured Free Area/16ft ²
Air Velocity	721.00 fpm @ Beginning Point Of H ₂ O Penetration 219.76 mpm	
Volumetric Air Flow	6,359.22 cfm @ 0.01 oz./ft. ² Free Area 3.00 cms	
Pressure Drop	0.07 In. of H ₂ O @ 0.01 oz./ft. ² Free Area 17.42 pascals	
Air Velocity	1,000.00 fpm @ Pressure Drop Of: 0.15" H ₂ O 304.80 mpm	37 pascals
Volumetric Air Flow	8,820.00 cfm @ Pressure Drop Of: 0.15" H ₂ O 4.16 cms	

ATOMS AP certifies that the performance ratings shown were developed in accordance with the requirements of AMCA test method 500-L-99, paragraph 8.3.1.



STIFFENER AND BLADE BRACE USED WHEN BLADES ARE MORE THAN 60" IN LENGTH

MULLION COVER



FILE: C:\DRAFTING\CUTSHEETS\437-EJ

ATOMS <small>ARCHITECTURAL PRODUCTS POWDER COATING</small>	SECTION SIZE LIMITS <table border="1"> <tr> <th>MAXIMUM</th> <th>MINIMUM</th> </tr> <tr> <td>WIDTH: 120"</td> <td>WIDTH: 12"</td> </tr> <tr> <td>HEIGHT: 120"</td> <td>HEIGHT: 12"</td> </tr> <tr> <td colspan="2">ONE DIMENSION MUST BE 60" OR LESS.</td> </tr> </table>		MAXIMUM	MINIMUM	WIDTH: 120"	WIDTH: 12"	HEIGHT: 120"	HEIGHT: 12"	ONE DIMENSION MUST BE 60" OR LESS.		REV. DATE: 6/22/10 REV. BY: DR
	MAXIMUM	MINIMUM									
WIDTH: 120"	WIDTH: 12"										
HEIGHT: 120"	HEIGHT: 12"										
ONE DIMENSION MUST BE 60" OR LESS.											
STD FRAME: 0.081" (2.057mm) 6063-T5 EXTRUDED ALUM. BLADE: 0.081" (2.057mm) 6063-T5 EXTRUDED ALUM.	PROJECT: LOCATION: ARCHITECT: CUSTOMER: CUSTOMER P.O. NO.: A.A.P. ORDER NO.:	SCALE: 3"=1' DATE: 5/1/09									
510 East Street Parkersburg, West Virginia 26101 www.atomsapllc.com Phone: 304-865-0842 Fax: 304-865-0846	DWN. BY: DR APP'VD BY:	EJ-437-HP									