

The illustrated design was created to a design load of 30 lbs. per square foot. Changes may be required to accommodate other design loads.

This drawing and the design represented are the confidential and proprietary property of ATOMS AP, LLC and may not be disclosed, loaned, copied or used for any purpose other than design review and approval without the express written consent of ATOMS AP, LLC. ATOMS AP, LLC reserves the right to alter the illustrated design solely at its' discretion.

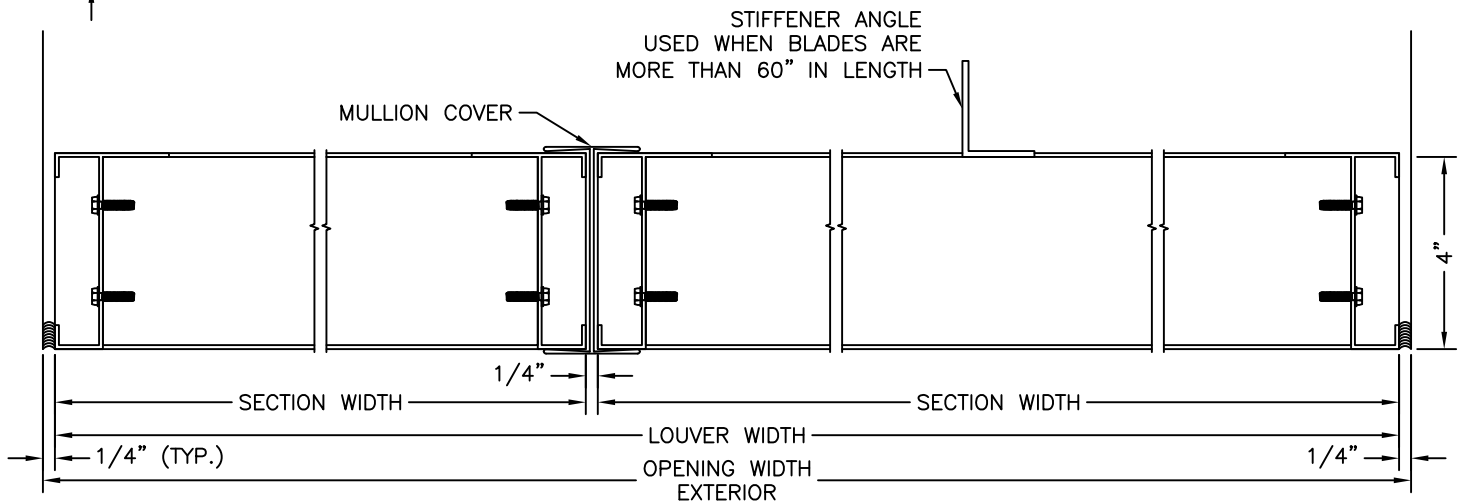
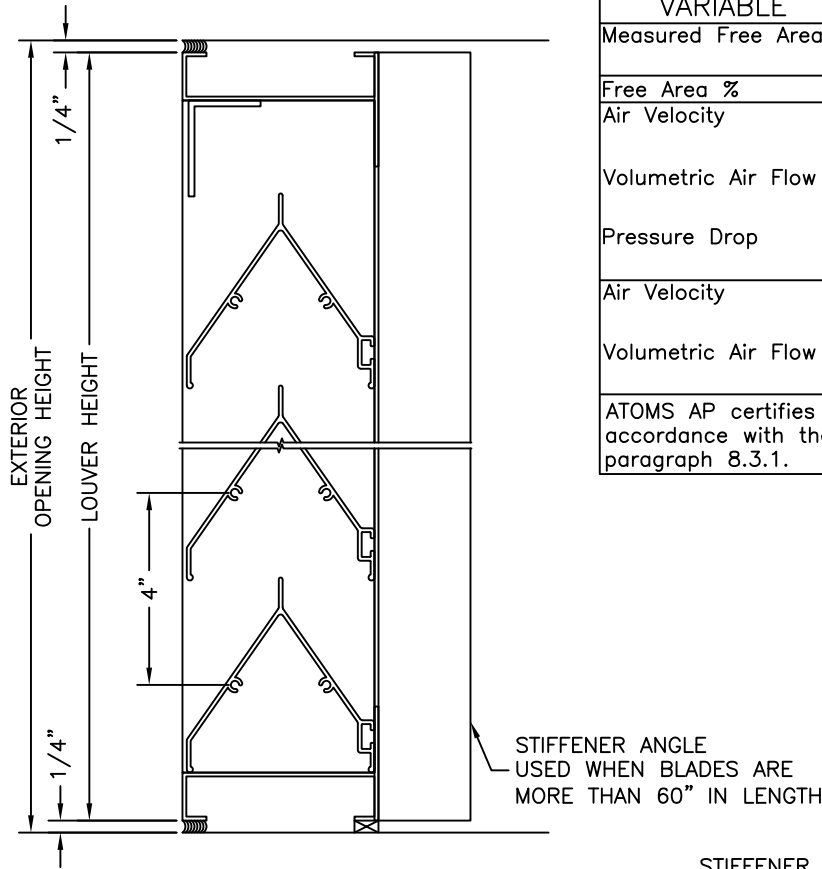
PERFORMANCE DATA

The data below supersedes all previously published data.

VARIABLE	VALUE	DESCRIPTION
Measured Free Area	5.75 ft ² 48"x48" 0.53 m ² 122cmx122cm	
Free Area %	35.96 %	Measured Free Area/16ft ²
Air Velocity	745.00 fpm @ Beginning Point Of H ₂ O Penetration 227.08 mpm	
Volumetric Air Flow	4,286.72 cfm @ 0.01 oz./ft. ² Free Area 2.02 cms	
Pressure Drop	0.18 In. of H ₂ O @ 0.01 oz./ft. ² Free Area 44.79 pascals	
Air Velocity	650.00 fpm @ Pressure Drop Of: 0.15" H ₂ O 198.12 mpm 37 pascals	
Volumetric Air Flow	3,740.10 cfm @ Pressure Drop Of: 0.15" H ₂ O 1.77 cms	

ATOMS AP certifies that the performance ratings shown were developed in accordance with the requirements of AMCA test method 500-L-99, paragraph 8.3.1.

MADE IN THE U.S.A.



FILE: C:\DRAFTING\CUTSHEETS\445-APEY

MATERIAL: FRAME 0.081" (2.057mm) 6063-T5 EXTRUDED ALUMINUM
BLADE 0.081" (2.057mm) 6063-T5 EXTRUDED ALUMINUM

REV. DATE: 10/17/11

REV. BY: DR

PROJECT:

LOCATION:

ARCHITECT:

CUSTOMER:

CUSTOMER P.O. NO.:

A.A.P. ORDER NO.:

SCALE: 3"=1'

DATE: JULY 27, 2010

DWN. BY: DR

APP'VD BY:

APEY-445

SECTION SIZE LIMITS	MAXIMUM	MINIMUM	ONE DIMENSION MUST BE 60" OR LESS.
	WIDTH: 120"	WIDTH: 12"	

510 EAST STREET
PARKERSBURG, WV 26101

www.atomsapllc.com

Phone: 304-865-0842

Fax: 304-865-0846

