

The illustrated design was created to a design load of 30 lbs. per square foot. Changes may be required to accommodate other design loads.

This drawing and the design represented are the confidential and proprietary property of ATOMS AP, LLC and may not be disclosed, loaned, copied or used for any purpose other than design review and approval without the express written consent of ATOMS AP, LLC. ATOMS AP, LLC reserves the right to alter the illustrated design solely at its' discretion.

MADE IN THE U.S.A.

PERFORMANCE DATA

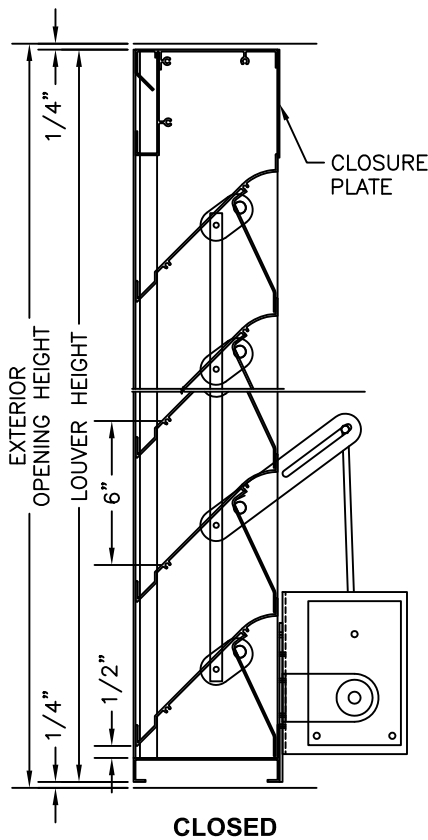
The data below supersedes all previously published data.

VARIABLE	VALUE	DESCRIPTION
Measured Free Area	6.99 ft ² 48"x48" 0.65 m ² 122cmx122cm	
Free Area %	43.72 %	Measured Free Area/16ft ²
Air Velocity	1,050.00 fpm @ Beginning Point Of H ₂ O Penetration 320.04 mpm	
Volumetric Air Flow	7,344.28 cfm @ 0.01 oz./ft. ² Free Area 3.47 cms	
Pressure Drop	0.15 In. of H ₂ O @ 0.01 oz./ft. ² Free Area 37.33 pascals	
Air Velocity	1,025.00 fpm @ Pressure Drop Of: 0.15" H ₂ O 312.42 mpm	37 pascals
Volumetric Air Flow	7,169.42 cfm @ Pressure Drop Of: 0.15" H ₂ O 3.38 cms	

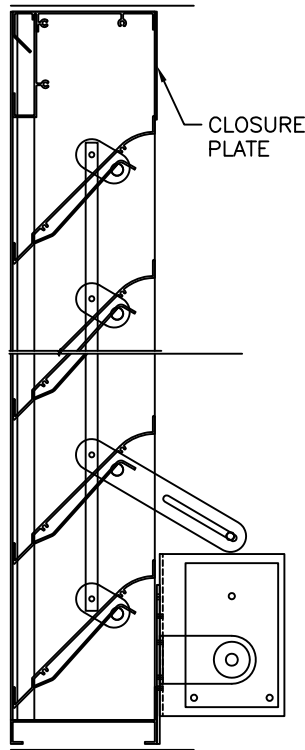
ATOMS AP certifies that the performance ratings shown were developed in accordance with the requirements of AMCA test method 500-L-99, paragraph 8.3.1.

OPTIONS FOR THE APODC-645

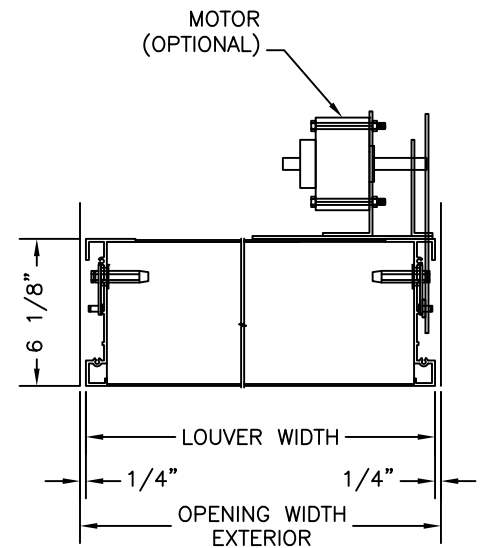
1. BLADE EDGE SEALS
2. JAMB SEALS



CLOSED



OPEN



FILE: C:\DRAFTING\CUTSHEETS\645-APODC

MATERIAL: FRAME 0.125" (3.175mm) 6063-T5 EXTRUDED ALUMINUM
BLADE 0.081" (2.057mm) 6063-T5 EXTRUDED ALUMINUM

REV. DATE: 7/26/11

REV. BY: DR

PROJECT:

LOCATION:

ARCHITECT:

CUSTOMER:

CUSTOMER P.O. NO.:

A.A.P. ORDER NO.:

SCALE: NTS

DATE: 9/17/10

DWN. BY: DR

APP'VD BY:

APODC-645

SECTION	MAXIMUM	MINIMUM	ONE DIMENSION
SIZE LIMITS	WIDTH: 36" HEIGHT: 120"	WIDTH: 12" HEIGHT: 12"	MUST BE 60" OR LESS.



510 EAST STREET
PARKERSBURG, WV 26101

www.atomsapllc.com

Phone: 304-865-0842

Fax: 304-865-0846