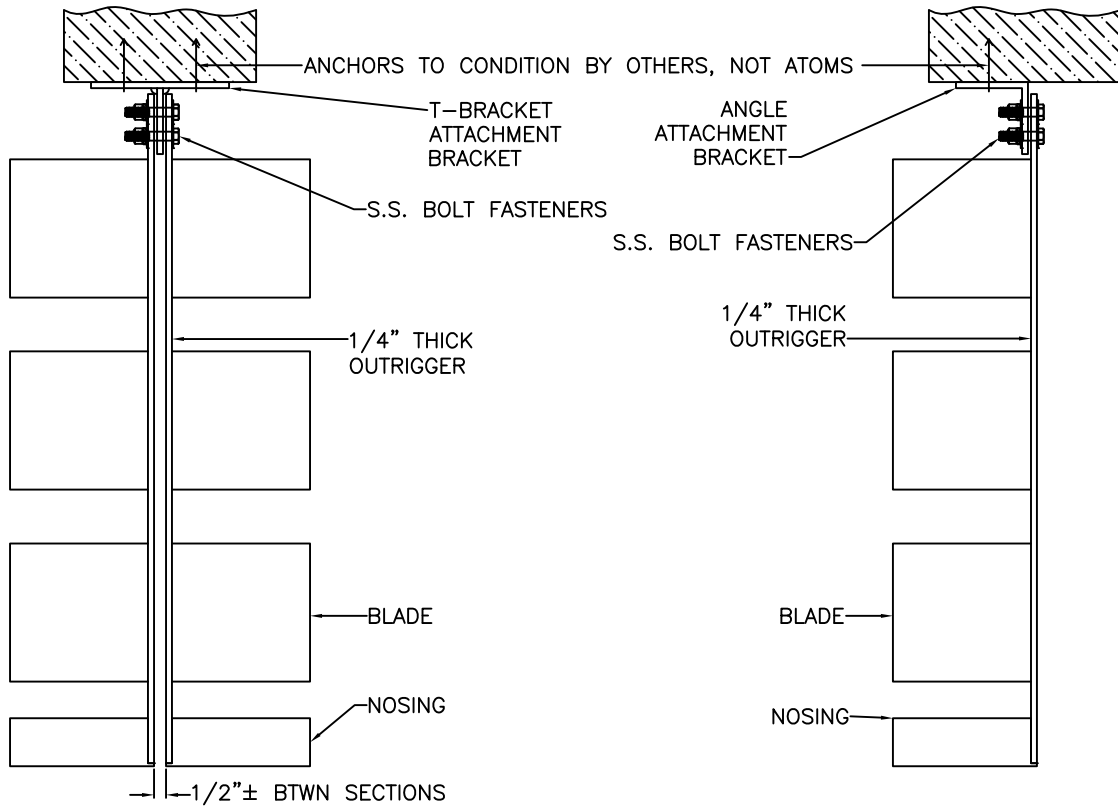
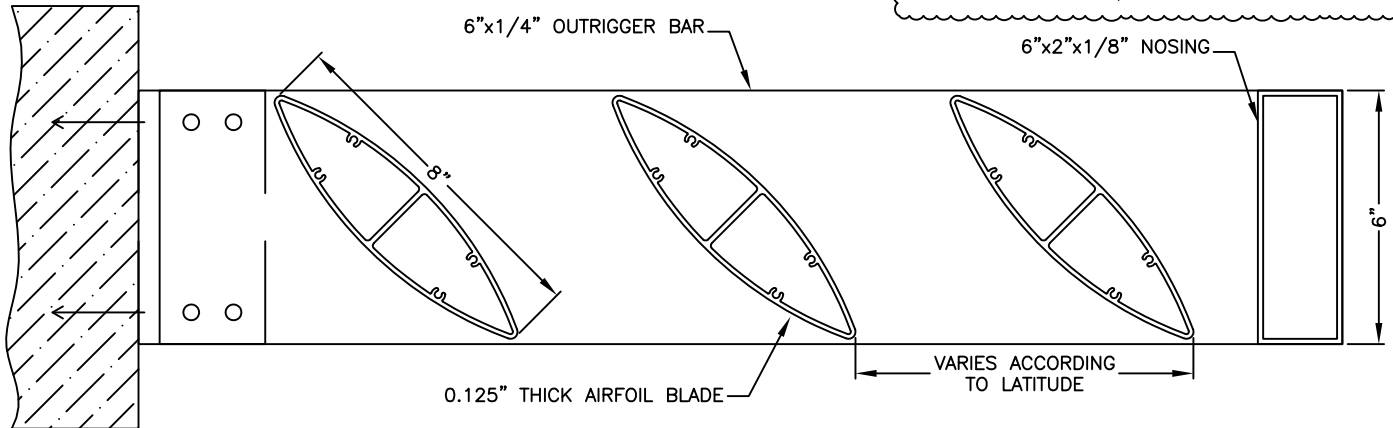


The illustrated design was created to a design load of 30 lbs. per square foot. Changes may be required to accommodate other design loads.

This drawing and the design represented are the confidential and proprietary property of ATOMS AP, LLC and may not be disclosed, loaned, copied or used for any purpose other than design review and approval without the express written consent of ATOMS AP, LLC. ATOMS AP, LLC reserves the right to alter the illustrated design solely at its' discretion.

SECTION VIEW

NOSING OPTIONS INCLUDE BUT ARE NOT LIMITED TO: RECTANGLE TUBES, ROUND TUBES OR CHANNELS.



PLAN VIEW
(@ MULLION)

MADE IN THE U.S.A.

PLAN VIEW
(@ ENDS)

FILE: C:\DRAFTING\CUTSHEETS\SUN SHADES

MATERIAL: OUTRIGGER 0.250" (6.350mm) 6063-T5 EXTRUDED ALUM.
BLADE 0.125" (3.175mm) 6063-T5 EXTRUDED ALUMINUM
NOSING: 0.125" (3.175mm) 6063-T5 EXTRUDED ALUMINUM

REV. DATE: _____ REV. BY: _____

PROJECT: _____

SECTION SIZE LIMITS	MAXIMUM	MINIMUM	ONE DIMENSION
WIDTH:	180"	12"	MUST BE 60" OR LESS.
HEIGHT:	180"	12"	

LOCATION: _____

ARCHITECT: _____

CUSTOMER: _____

CUSTOMER P.O. NO.: _____

A.A.P. ORDER NO.: _____



510 EAST STREET
PARKERSBURG, WV 26101

www.atomsapllc.com

Phone: 304-865-0842
Fax: 304-865-0846

SCALE: NTS

DATE: 3/27/13

DWN. BY: AGH

APP'VD BY: _____

APSS-860-AF