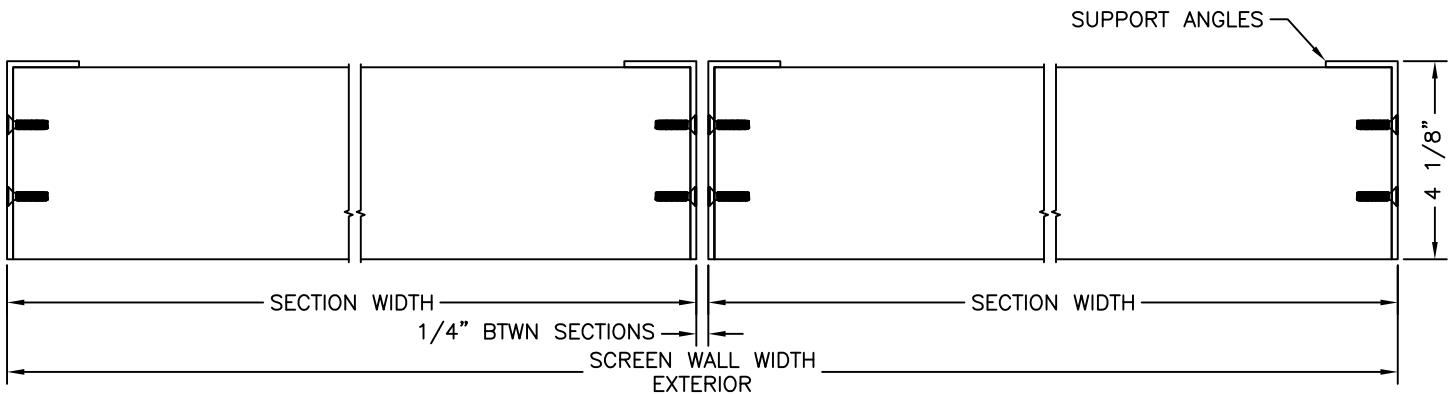
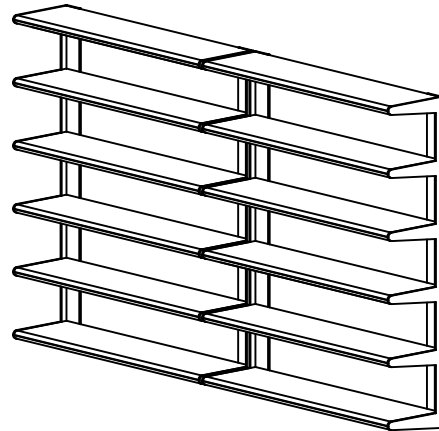
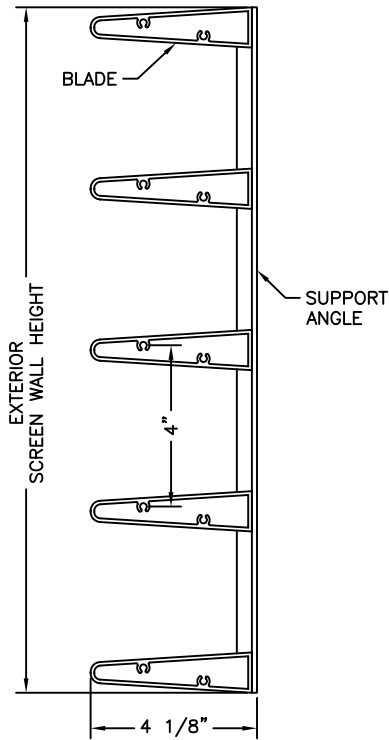


The illustrated design was created to a design load of 30 lbs. per square foot. Changes may be required to accommodate other design loads.

This drawing and the design represented are the confidential and proprietary property of ATOMS AP, LLC and may not be disclosed, loaned, copied or used for any purpose other than design review and approval without the express written consent of ATOMS AP, LLC. ATOMS AP, LLC reserves the right to alter the illustrated design solely at its' discretion.

MADE IN THE U.S.A.



FILE: C:\DRAFTING\CUTSHEETS\APSW-4-HN

MATERIAL: FRAME 0.125" (3.175mm) 6063-T5 EXTRUDED ALUMINUM  
 BLADE 0.081" (2.057mm) 6063-T5 EXTRUDED ALUMINUM

REV. DATE: 7/26/11

REV. BY: DR

PROJECT:

LOCATION:

ARCHITECT:

CUSTOMER:

CUSTOMER P.O. NO.:

A.A.P. ORDER NO.:

SCALE: 3"=1'

DATE: 5/1/09

DWN. BY: DR

APP'VD BY:

**APSW-4-HN**

SECTION SIZE LIMITS	MAXIMUM	MINIMUM	ONE DIMENSION
WIDTH:	180"	12"	MUST BE 60" OR LESS.
HEIGHT:	180"	12"	



510 EAST STREET  
 PARKERSBURG, WV 26101

www.atomsapllc.com

Phone: 304-865-0842  
 Fax: 304-865-0846