

The illustrated design was created to a design load of 30 lbs. per square foot. Changes may be required to accommodate other design loads.

This drawing and the design represented are the confidential and proprietary property of ATOMS AP, LLC and may not be disclosed, loaned, copied or used for any purpose other than design review and approval without the express written consent of ATOMS AP, LLC. ATOMS AP, LLC reserves the right to alter the illustrated design solely at its' discretion.

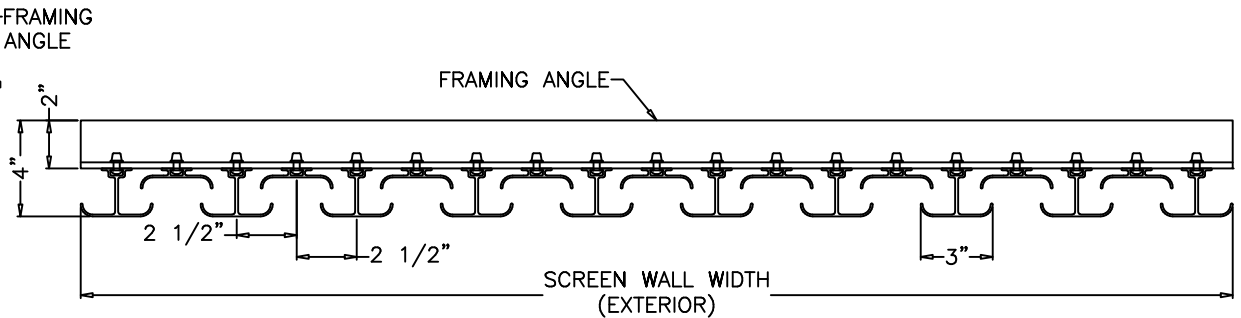
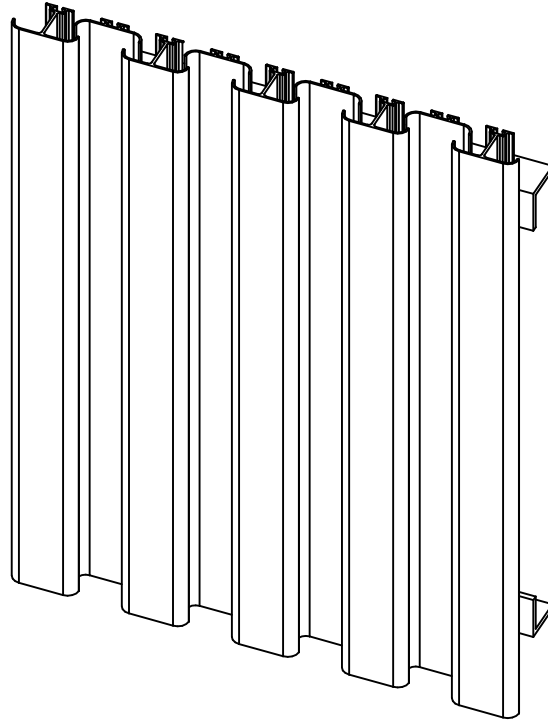
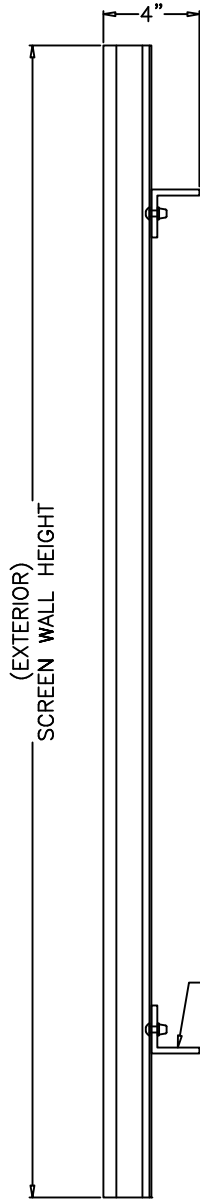
MADE IN THE U.S.A.

PERFORMANCE DATA

The data below supersedes all previously published data.

VARIABLE	VALUE	DESCRIPTION
Measured Free Area	3.51 ft ²	48"x48"
	0.33 m ²	122cmx122cm
Free Area %	21.96 %	Measured Free Area/16ft ²

ATOMS AP certifies that the performance ratings shown were developed in accordance with the requirements of AMCA test method 500-L-99, paragraph 8.3.1.



FILE: W:\JOBS\CUTSHEETS\333-APVT

MATERIAL: FRAME 0.250" (6.350mm) 6063-T5 EXTRUDED ALUMINUM
 BLADE 0.081" (2.057mm) 6063-T5 EXTRUDED ALUMINUM

REV. DATE: 7/26/11

REV. BY: DR

PROJECT:

SECTION SIZE LIMITS	MAXIMUM	MINIMUM	ONE DIMENSION MUST BE 60" OR LESS.
	WIDTH: 180"	WIDTH: 12"	
HEIGHT: 180"	HEIGHT: 180"	HEIGHT: 12"	

LOCATION:

ARCHITECT:

CUSTOMER:

CUSTOMER P.O. NO.:

A.A.P. ORDER NO.:

SCALE: NTS
 DWN. BY: DR
 APP'VD BY:

DATE: 4/27/11



510 EAST STREET
 PARKERSBURG, WV 26101

www.atomsapllc.com
 Phone: 304-865-0842
 Fax: 304-865-0846

APVT-333