

The illustrated design was created to a design load of 30 lbs. per square foot. Changes may be required to accommodate other design loads.

This drawing and the design represented are the confidential and proprietary property of ATOMS AP, LLC and may not be disclosed, loaned, copied or used for any purpose other than design review and approval without the express written consent of ATOMS AP, LLC. ATOMS AP, LLC reserves the right to alter the illustrated design solely at its' discretion.

### PERFORMANCE DATA

The data below supersedes all previously published data.

VARIABLE	VALUE	DESCRIPTION
Measured Free Area	7.60 ft <sup>2</sup> 48"x48" 0.71 m <sup>2</sup> 122cmx122cm	
Free Area %	47.50 %	Measured Free Area/16ft <sup>2</sup>
Air Velocity	1,250.00 fpm @ Beginning Point Of H <sub>2</sub> O Penetration 381.00 mpm	
Volumetric Air Flow	9,500.00 cfm @ 0.01 oz./ft. <sup>2</sup> Free Area 4.48 cms	
Pressure Drop	0.22 In. of H <sub>2</sub> O @ 0.01 oz./ft. <sup>2</sup> Free Area 54.74 pascals	
Air Velocity	1,030.00 fpm @ Pressure Drop Of: 0.15" H <sub>2</sub> O 313.94 mpm	37 pascals
Volumetric Air Flow	7,828.00 cfm @ Pressure Drop Of: 0.15" H <sub>2</sub> O 3.69 cms	

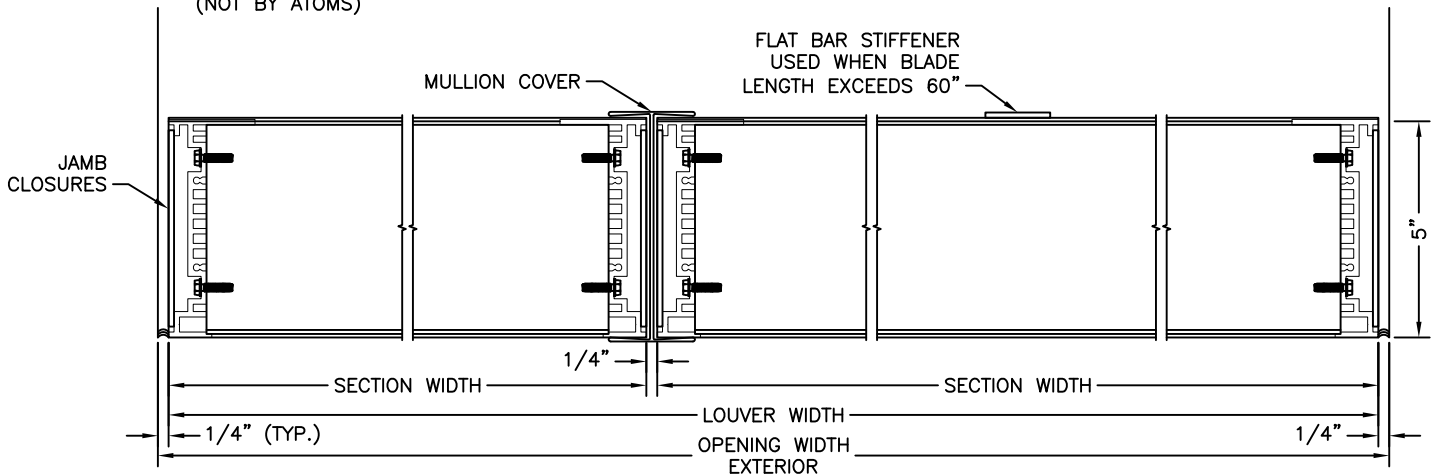
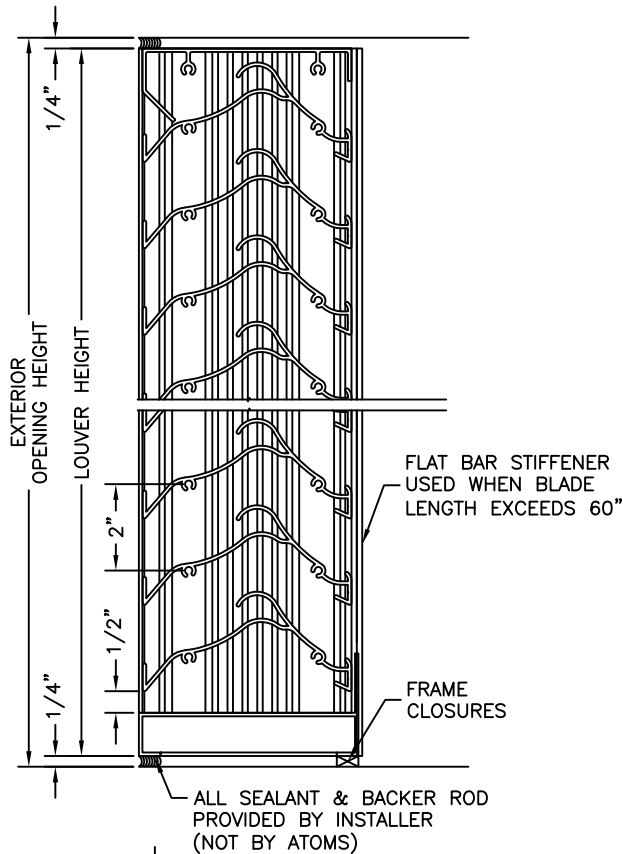
WIND DRIVEN RAIN - CLASS "A" THROUGH CORE AIR VELOCITY OF 672 fpm.



ATOMS AP LLC certifies that louver model APWD-545 shown herein is licensed to bear the AMCA seal. The ratings shown are based on tests and procedures performed in accordance with AMCA publication 511 and comply with the requirements of the AMCA certified ratings program.

The AMCA Certified Ratings Seal Applies to Water Penetration, Air Performance and Wind Driven Rain.

**MADE IN THE U.S.A.**



FILE: C:\DRAFTING\CUTSHEETS\545-APWD

MATERIAL: FRAME 0.125" (3.175mm) 6063-T5 EXTRUDED ALUMINUM  
BLADE 0.081" (2.057mm) 6063-T5 EXTRUDED ALUMINUM

REV. DATE: 9/26/13

REV. BY: AGH

PROJECT: APWD-545 W/ FRAME CLOSURES

SECTION SIZE LIMITS	MAXIMUM	MINIMUM	ONE DIMENSION MUST BE 60" OR LESS.
	WIDTH: 120"	WIDTH: 12"	

LOCATION:

ARCHITECT:

CUSTOMER:

CUSTOMER P.O. NO.:

A.A.P. ORDER NO.:

SCALE: 3"=1'

DATE: JUNE 1, 2010

DWN. BY: DR

APP'VD BY:

**APWD-545**



510 EAST STREET  
PARKERSBURG, WV 26101

www.atomsapllc.com

Phone: 304-865-0842  
Fax: 304-865-0846