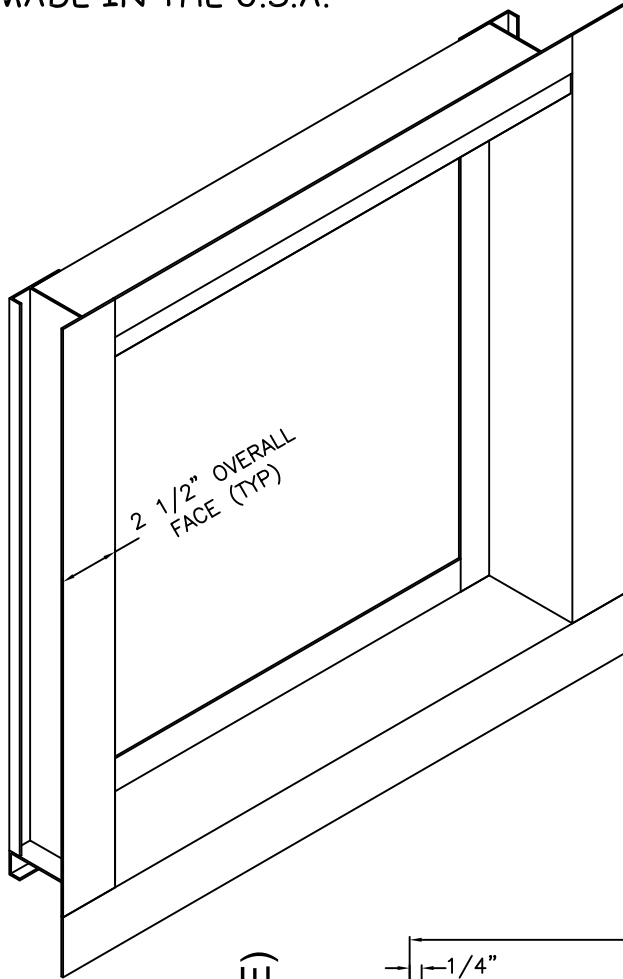
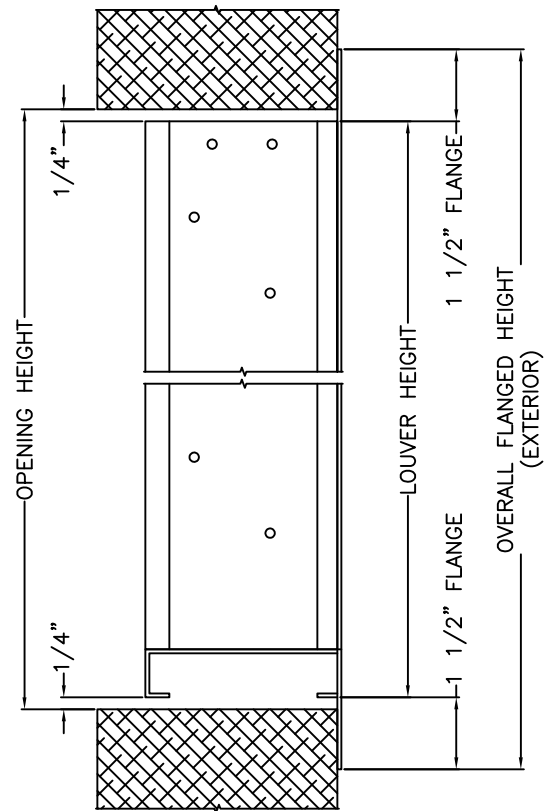


REV. NO.	DESCRIPTION	DATE	DWN BY	This drawing and the design represented are the confidential and proprietary property of ATOMS AP, LLC and may not be disclosed, loaned, copied or used for any purpose other than design review and approval without the express written consent of ATOMS AP, LLC.
1	UPDATED ADDRESS	4/23/10	DR	
2	REMOVED PO BOX	6/1/10	DR	

MADE IN THE U.S.A.

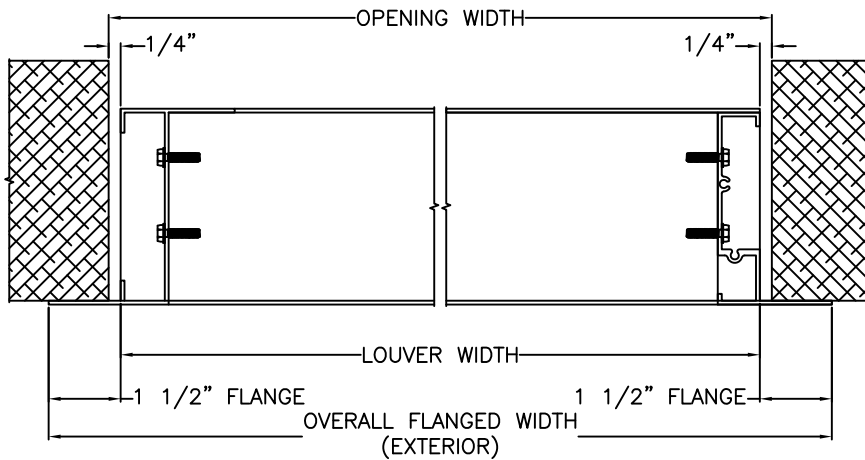


@ HEAD



@ SILL

@ JAMB  
(NON-DRAINABLE)



@ JAMB  
(DRAINABLE)

FILE: C:\DRAFTING\DETAILS\FLANGE FRAME



510 East Street  
Parkersburg, WV 26101  
www.atomsapllc.com  
Phone: 304-865-0842  
Fax: 304-865-0846

DRAWING DESC.: GENERAL FLANGE FRAME DETAIL

PROJECT:

LOCATION:

ARCHITECT:

CUSTOMER:

CUSTOMER PO#:

ATOMS CHECKED BY:

DATE: 5/1/09

DWN BY: DR

A.A.P. ORDER NO.

A.A.P. PROJECT MGR.

DRAWING NO.

SCALE: NTS

SHEET: 1 of 1

FLANGE FRAME