

REV. NO.	DESCRIPTION	DATE	DWN BY	This drawing and the design represented are the confidential and proprietary property of ATOMS AP, LLC and may not be disclosed, loaned, copied or used for any purpose other than design review and approval without the express written consent of ATOMS AP, LLC.

**MADE IN THE U.S.A.**

**BLANK-OFF INSTALLATION**

BLANK-OFF MAY BE INSTALLED ON THE LOUVER INTERIOR.

BLANK-OFF WILL BE ATTACHED TO THE LOUVER SECTIONS AT THE FACTORY USING 410 SERIES STAINLESS STEEL SELF DRILLING SCREWS; FOR NON-INSULATED BLANK-OFF PANELS A #10-3/4" LONG, STAINLESS STEEL, HEX HEAD TEK SCREW WILL BE USED. FOR 1"-2" INSULATED BLANK-OFF PANELS A #12 STAINLESS STEEL, HEX HEAD TEK SCREW (LENGTH VARYING PANEL THICKNESS) WILL BE USED.

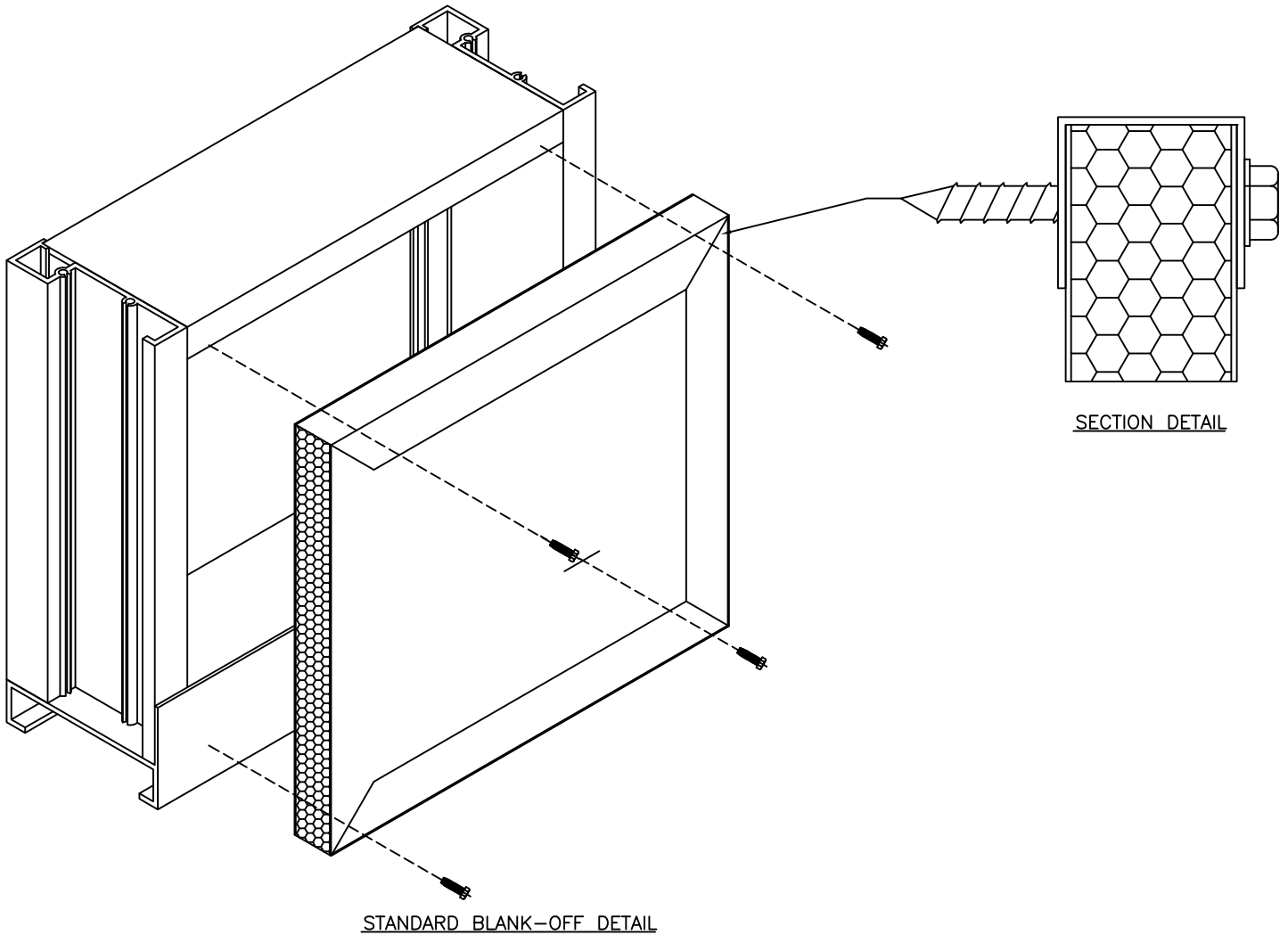
1" WIDE FOAM TAPE WITH PSA ON ONE SIDE IS PLACED AROUND THE PERIMETER FOR SEAL. FASTENERS ARE LOCATED AT THE CORNERS AND NOMINALLY 20" ON CENTER.

**BLANK-OFF MATERIAL:**


STANDARD: 20ga SHEET ALUMINUM, PAINTED BLACK ON ONE SIDE.

OPTIONAL INSULATED BLANK-OFF: 1" THICK, (2) 20 ga SHEETS WITH POLYSTYRENE SANDWICHED IN BETWEEN, PAINTED BLACK ON ONE SIDE.

OPTIONAL INSULATED BLANK-OFF: 2" THICK, (2) 20 ga SHEETS WITH POLYSTYRENE SANDWICHED IN BETWEEN, PAINTED BLACK ON ONE SIDE.



FILE: C:\DRAFTING\DETAILS\BLANKOFF - NONINSULATED

	Parkersburg, WV 26101 www.atomsap.net Phone: 304-865-0842 Fax: 304-865-0846	DRAWING DESC.: STANDARD BLANK-OFF DETAIL (INSULATED)		
		PROJECT:		
		LOCATION:		
		ARCHITECT:		
		CUSTOMER:		
		CUSTOMER PO#:		
		ATOMS CHECKED BY:		
		DATE: 3/28/13	DWN BY: AGH	A.A.P. ORDER NO.
SCALE: NTS	SHEET: 1 of 1		DRAWING NO. INS. BLANK-OFF	