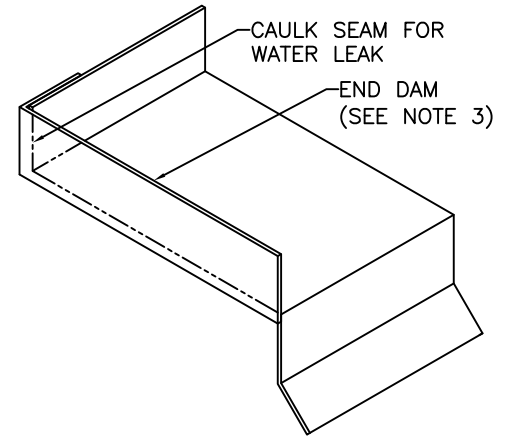
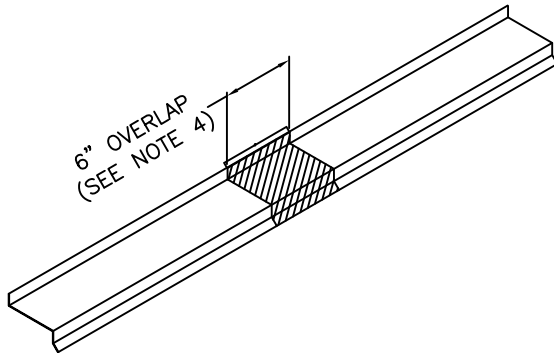
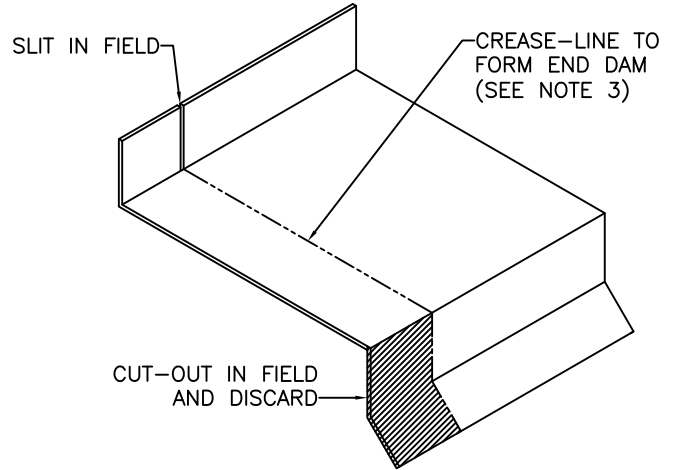


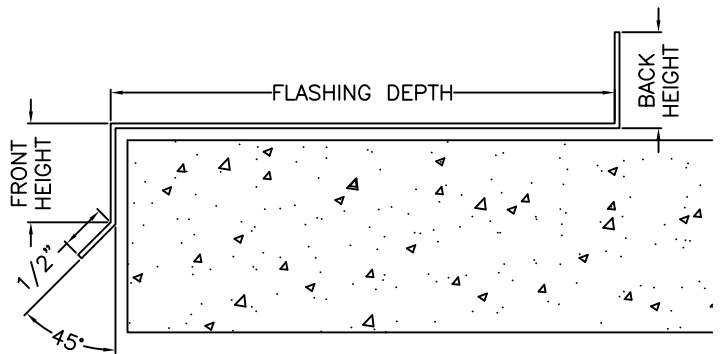
REV. NO.	DESCRIPTION	DATE	DWN BY	This drawing and the design represented are the confidential and proprietary property of ATOMS AP, LLC and may not be disclosed, loaned, copied or used for any purpose other than design review and approval without the express written consent of ATOMS AP, LLC.
1	UPDATED ADDRESS	6/23/10	DR	

NOTES:

1. ATOMS AP STANDARD SILL FLASHING IS 16ga (0.050 IN.) WALL THICKNESS ALUMINUM MATERIAL THAT IS FINISHED TO MATCH THE LOUVER.
2. ATOMS AP STRONGLY RECOMMENDS SILL FLASHING TO BE USED UNDER LOUVERS THAT ARE MADE WITH ARCHITECTURAL MULLIONS OR CONTINUOUS BLADE APPEARANCE.
3. END DAMS ARE OPTIONAL (NOT STANDARD). THE EXTRA LENGTH IS CREATED IN THE FIELD BY THE INSTALLER. REAR VERTICAL SEAM MUST BE SEALED BY THE INSTALLER AFTER SHAPING.
4. ATOMS AP RECOMMENDS AND PROVIDES SUFFICIENT FLASHING LENGTH FOR A MINIMUM OVER LAP OF 6 INCHES, WHERE LENGTHS OF FLASHING ARE JOINED UNDER SECTION(S). THE INSTALLER MUST ADEQUATELY SEAL THIS OVERLAP JOINT WITH SEALANT TO MAKE WATERTIGHT.
5. SIZE MAY VARY FOR SPECIAL ORDERS.




LOUVER DEPTH	FRONT HEIGHT	FLASHING DEPTH	BACK HEIGHT	END DAM (OPTION) SEE NOTE 3	FLAT SHEET CUT WIDTH
STANDARD 2" LOUVER	1"	2 1/4"	1"	1"	4 5/8"
STANDARD 4" LOUVER	1"	4 1/4"	1"	1"	6 5/8"
STANDARD 5" LOUVER	1"	5 1/4"	1"	1"	7 5/8"
STANDARD 6" LOUVER	1"	6 1/4"	1"	1"	8 5/8"
STANDARD 7" LOUVER	1"	7 1/4"	1"	1"	9 5/8"
STANDARD 8" LOUVER	1"	8 1/4"	1"	1"	10 5/8"
STANDARD 12" LOUVER	1"	12 1/4"	1"	1"	14 5/8"
CUSTOMER PROVIDED					



MADE IN THE U.S.A.

FILE: C:\DRAFTING\DETAILS\SILL FLASHING

	<p>510 East Street Parkersburg, WV 26101 www.atomsapllc.com Phone: 304-865-0842 Fax: 304-865-0846</p>	DRAWING DESC.: STANDARD SILL FLASHING DETAILS			
		PROJECT:			
		LOCATION:			
		ARCHITECT:			
		CUSTOMER:			
		CUSTOMER PO#:			
		ATOMS CHECKED BY:			
		DATE: 5/1/09	DWN BY: DSR	A.A.P. ORDER NO.	A.A.P. PROJECT MGR.
SCALE: NTS	SHEET: 1 of 1				